

4S/6S Fitting series

4S Fittings

For use with hoses:

EC525-12,-16,-20,-24,-32; GH493-12,-16,-20,-24,-32;
 FC636-12,-16,-20,-24,-32;
 FC736-12,-16,-20,-24,-32; FC500-12,-16,-20,-24;
 FC273B-12,-16;
 GH506-12,-16,-20,-24,-32; FC254-12,-16,-20,-24,-32;
 EC810-12,-16;

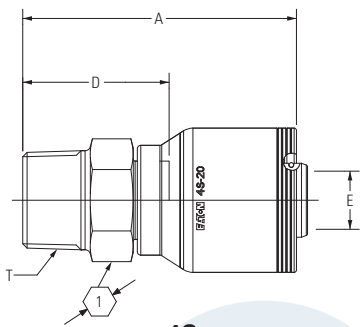
6S Fittings

For use with hoses:

FC500-32;
 FC273B-20,-24,-32;
 FC606-16,-20,-24;
 EC810-20,-24,-32;
 GH466-20,-24

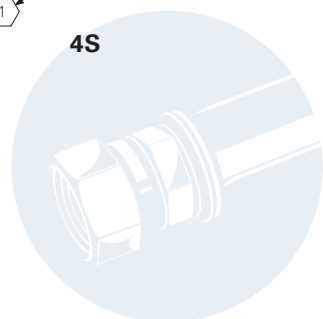
BSP Male Tapered Rigid (BT)

Straight



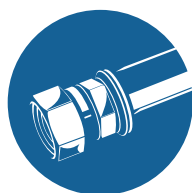
# Part Number	Terminal End	Hose Size		Thread	A		D		E Ø		1 mm
		DN	Dash size		in	mm	in	mm	in	mm	
4S12BT12	-12	19	-12	R 3/4-14	84,0	3.31	47,7	1.88	14,2	0.56	27,0
4S16BT16	-16	25	-16	R 1-11	94,9	3.74	55,2	2.17	19,2	0.75	36,0
4S20BT20	-20	31	-20	R 1 1/4-11	118,4	4.66	63,3	2.49	25,2	0.99	46,0

"R" as part of thread size is ISO designation for tapered thread.



MACOPA

Mangueras y Conexiones de Panamá



MACOPA

Mangueras y Conexiones de Panamá

info@macoparty.com