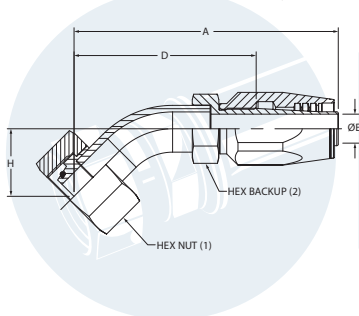


Reusable End Fittings

DIN 24° DKO Heavy (DKO-S) - 45° Elbow



Nipple / Nipple Assy	Hose Size	Terminal End	Thread	Dim 'A'		Dim 'D'		EØ		Dim 'H'		Hex Nut (1)	Hex Backup (2)
				mm	in	mm	in	mm	in	mm	in		
11.839-8-4	-4	8S	M16x1,5	73.5	2.89	45.3	1.78	4.1	0.16	15	0.59	19	14
11.839-10-4	-4	10S	M18x1,5	77.2	3.04	49	1.93	4.1	0.16	16.8	0.66	22	14
11.839-12-6	-6	12S	M20x1,5	83.9	3.30	51.9	2.04	7.2	0.28	17	0.67	24	17
11.839-16-8	-8	16S	M24x1,5	106.7	4.20	67.9	2.67	8.9	0.35	25.4	1.00	30	22
11.839-25-12	-12	25S	M36x2,0	141	5.55	95.8	3.77	15.6	0.61	35.9	1.41	41	32
11.839-30-16	-16	30S	M42x2,0	156	6.14	106.1	4.18	20.7	0.81	36.9	1.45	50	36